

## Data Sheet

---

---

**Type Description :** Green-Mode PWM Controller (SSR)

**Product Name :** EST.28xxDS

**Reversion :** V1.0

**Reversion Date :** May, 2020

**Page :** 15 Pages

### General Description

EST.28xxDS is a higher integrated PWM flyback controller. It provides several functions to enhance the efficiency to meets the criteria of global standards such as DoE Level VI and EU CoC V5 Tier-2. Meantime, it also provides excellent EMI-improved solution, and also built in complete protection.

EST.28xxDS is a green mode controller, which implements low start-up current, green-mode power-saving. It is also built-in the leading-edge blanking (LEB) of the current sensing and feedback loop to screen the spike noise from any input signal. The internal slope compensation can limit the constant output over universal AC input range. The sawtooth over frequency function for EMI improved solution.

Meanwhile, EST.28xxDS also provides various protection, such as, OLP (Over Load Protection), VDD OVP (Over Voltage Protection), Output OLP and output OVP to prevent the circuit damage from the abnormal conditions.

EST.28xxDS is available in SOP-8.

EST.28xxDS works with current sensing synchronous rectifier controllers, such as EST.6001C and EST.6xxxxC to achieve higher conversion efficiency and very compact power density..

### Application

- Switching AC/DC adapter and battery charger
- ATX standby power
- Open frame switching power and CD(R)
- Set-top-boxes(STB) 384Xreplacement

### Features

- Integrated high voltage MOSFET
- 65KHz fix frequency mode at PWM Mode
- Very low startup current (<3 uA)
- 0.5mA ultra-low operating current at light load
- Current mode control with Cycle-by-Cycle current limit
- Built-in slope and load regulation compensation
- LEB (Leading-edge blanking) on CS Pin
- UVLO (Under voltage lockout)
- Fault Protections : VDD Over Voltage, CS OVP(Over Voltage), Output Short-Circuit, Over-Current, OLP (Over load protection) and Pin Fault
- Photo coupler short protection & Feedback open protection
- High voltage CMOS process with excellent ESD protection
- 250mA/500mA driving capability
- Hazardous Substance Free
- RoHs/REACH Compliant



SOP-8L

### Function and Protection Options

Part No.	Package	Freq. KHZ	Protection						
			OLP	BNO	VDD. OVP	AUX. OVP	CS. OVP	CS. Open	SDSP
EST.28xxDS	SOP-8	65KHz	Hiccup / 100mS	Hiccup	Hiccup	Hiccup	Hiccup	Hiccup	Hiccup

Note: EST lead-free products contain molding compounds/die attach materials and 100% matte tin plate termination finish; which are fully compliant with RoHS. EST lead-free products meet or exceed the lead-free requirements of IPC/JEDEC J-STD-020C for MSL classification at lead-free peak reflow temperature. EST defines "Green" to mean lead-free (RoHS compliant) and halogen free (Br or Cl does not exceed 900ppm by weight in homogeneous material and total of Br and Cl does not exceed 1500ppm by weight)

### Ordering Information

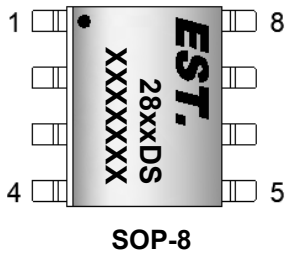
Part Number	Package	Packaging	Note
EST28xxDS	SOP-8L	Tape & Reel	Green

# EST.28xxDS

## Green-Mode PWM Controller (SSR)



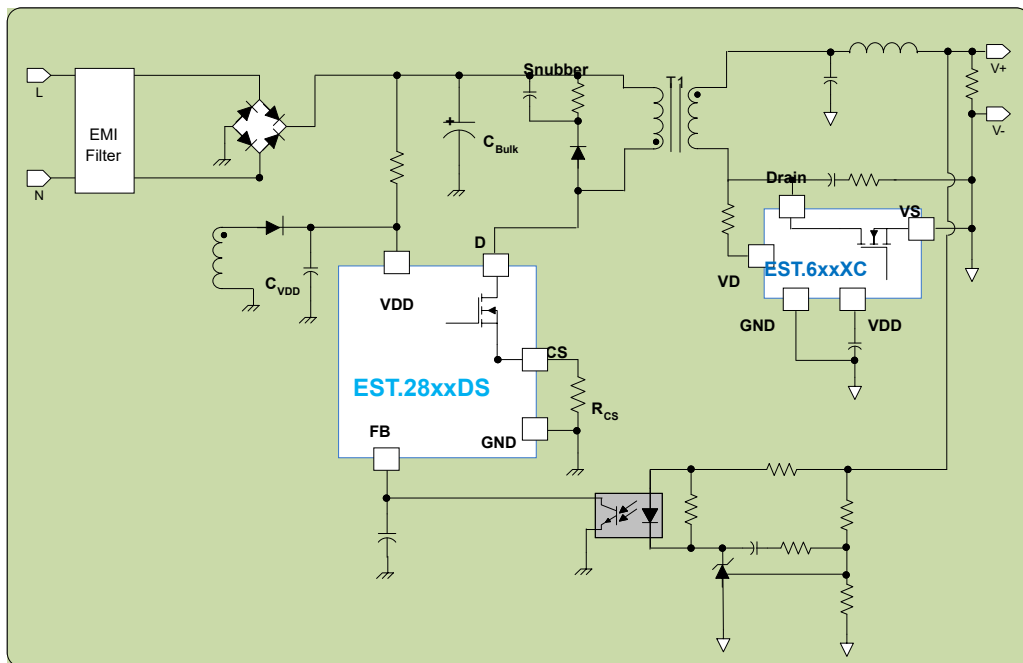
### Pin Assignments and Package Type



EST: LOGO  
 28xxDS: xxD=MOS Type;  
 S= Smd-8Pin  
 XXXXXX: Production lot code

SOP-8	NAME Description	Description
1	VDD	Power supply pin
2	GND	Ground
3	FB	Voltage input pin by connecting a photo-coupler
4	CS	Current Sense pin, connect to sense the MOSFET current.
5,6,7,8	DRAIN	HV MOSFET Drain pin. The Drain pin is connected to the primary lead of the transformer.

### Application Circuit



### Absolute Maximum Ratings

Parameter Symbol	Symbol	Limit Values		Unit	Remark	
		Min.	Max			
Supply Voltage VDD	V <sub>DD</sub>	-0.3	32	V		
AC,FB,CS Voltage	V <sub>AC</sub> , V <sub>FB</sub> , V <sub>CS</sub> ,	-0.3	7	V		
Drain Voltage	V <sub>D</sub>	650		V		
Max Junction Temperature	T <sub>jm</sub>	-40	150	°C		
Operation Junction Temperature	T <sub>j</sub>	-40	125	°C		
Operation Ambient Temperature	T <sub>A</sub>	-25	85	°C		
Storage Temperature	T <sub>stg</sub>	-55	150	°C		
Absolute Max. IDD Current @ V <sub>DD</sub> =25V	I <sub>DD_max</sub>	-	22	mA	SOP-8	
Power Dissipation	PD	-	556	mW		
Junction-to-Ambient Thermal Resistance*	θ <sub>JA</sub>	-	180	°C/W		
Junction-to-Case Thermal Resistance**	θ <sub>JC</sub>	-	39	°C/W		
Lead temperature (Soldering, 10 sec)			-	260	°C	
ESD Voltage Protection	HBM	V <sub>ESD-HBM</sub>	-	3.0	KV	
	MM	V <sub>ESD-MM</sub>	-	300	V	

Stress beyond those listed under “Absolute Maximum Ratings” may cause permanent damage to the device. These are stress ratings only, and functional operation of the device at these or any other conditions beyond those indicated in the operational sections of the specifications is not implied. Exposure to absolute maximum rating conditions for extended periods may affect device reliability.

### Recommended Operating Conditions

Parameter Symbol	Symbol	Limit Values		Unit	Remarks
		Min.	Max		
Operation Junction Temperature	T <sub>jo</sub>	-40	125	°C	
Supply Voltage V <sub>DD</sub>	V <sub>DD</sub>	11	25	V	
Startup Resistor Value	R <sub>star</sub>	1	14	MΩ	
Ambient temperature range	T <sub>opr</sub>	-40	85	°C	
Capacitance of CS pin	C <sub>CS</sub>	47	390	pF	
Capacitance of FB pin	C <sub>FB</sub>		2.2	nF	

**DC Electrical Characteristics (VCC =15V, Ta=25°C)**

**Supply Voltage (VCC Pin):**

Parameter	Symbol	Min.	Typ.	Max.	Unit	Conditions
Startup Current	I <sub>CC-ST</sub>	2	3.5	5.5	μA	UVLO ON - 0.1V
Operating Current (with 1nF load on DRV pin)	I <sub>CC-OP</sub>	0.4	0.6	0.8	mA	V <sub>FB</sub> =0V
	I <sub>CC-OP</sub>	1.5	2	2.5	mA	V <sub>FB</sub> =2.5V CL=1nF
	I <sub>CC-OLP</sub>	0.2	0.35	0.5	mA	OLP
UVLO (off)	V <sub>UVLO-OFF</sub>	7.5	8.0	8.5	V	
UVLO (on)	V <sub>UVLO-ON</sub>	16		19	V	
V <sub>DD</sub> OVP Level	V <sub>OVP</sub>	26	27	28.5	V	
OVP Debounce Time	T <sub>OVP</sub>		4		cycle	Guarantee by Design
V <sub>CC</sub> Simulation mode(ON)	V <sub>CC-HD_ON</sub>	9.7	10.2	10.7	V	
V <sub>CC</sub> Simulation mode(Off)	V <sub>CC-HD_OFF</sub>	10.2	10.7	11.2	V	
Latch off mode release Current	I <sub>DD-LHOFF</sub>			25	uA	Guarantee by Design

**Voltage Feedback(FB Pin):**

Parameter	Symbol	Min.	Typ.	Max.	Unit	Conditions
Short Circuit Current	I <sub>zero</sub>	0.1	0.14	0.18	mA	V <sub>FB</sub> =0V
Open Loop Voltage	V <sub>FB-OP</sub>	4.8	5	5.2	V	FB pin open
Over Load Protection	V <sub>OLP</sub>	3.5	4	4.5	V	
Debounce Time of OLP	T <sub>OLP</sub>	90	100	110	ms	
Burst mode start voltage(on)	V <sub>BUR_ON</sub>	0.35	0.45	0.55	V	
Burst Mode Hysteresis	V <sub>BUR_HY</sub>	0.05	0.1	0.15	V	
Green Mode Threshold	F <sub>th_GR</sub>	35	45	55	KHz	V <sub>FB</sub> =1.3V

**Current Sensing (CS Pin):**

Parameter	Symbol	Min.	Typ.	Max.	Unit	Conditions
Leading Edge Blanking Time & Propagation Delay to Output	T <sub>LEB +T<sub>PD</sub></sub>	400	500	600	ns	
Maximum CS Off Voltage	V <sub>CSTH</sub>	0.65	0.7	0.75	V	
OCP source current	I <sub>OCP</sub>	240	250	260	uA	Min. Duty
CS Over Voltage Protection	V <sub>CS_OVP</sub>	0.45	0.5	0.55	V	T = T <sub>off</sub>
OVP Leading Blanking time	T <sub>OVP_LEB</sub>		2		us	Guarantee by Design
Internal Slope Compensation	V <sub>SLP_LP_LEB</sub>		160		mV	
Short Circuit Protection Voltage	V <sub>SCP</sub>		0.85		V	
Debounce Time of V <sub>SCP</sub>	T <sub>SCP</sub>		2		cycle	
Short Circuit Detection Time	T <sub>SCP</sub>		100		us	

**Timer Section:**

Parameter	Symbol	Min.	Typ.	Max.	Unit	Conditions
Burst Mode Frequency	F <sub>Burst</sub>	22		28	KHz	
PWM Mode Frequency	F <sub>PWM</sub>	61	65	69	KHz	
Voltage stability of Frequency	F <sub>PSRR</sub>	-1		+1	%	V <sub>DD</sub> = 11V~25V
Frequency Shuffling Range	F <sub>jitter</sub>	+/-4	+/-6	+/-8	%	
Maximum duty cycle	D <sub>MAX</sub>	75	80	85	%	
Internal Soft Startup Time	T <sub>SS</sub>	10.3	13.2	16	mS	

**On chip Thermal shut down:**

Parameter	Symbol	Min.	Typ.	Max.	Unit	Conditions
IOTP Level	V <sub>IOTP</sub>		150		°C	Guarantee by Design
Output High Level	V <sub>OOTP</sub>		120		°C	

# EST.28xxDS

## Green-Mode PWM Controller (SSR)



EST.28xxDS Green-Mode PWM Controller (SSR)

### SDSP (Secondary diodes short protection):

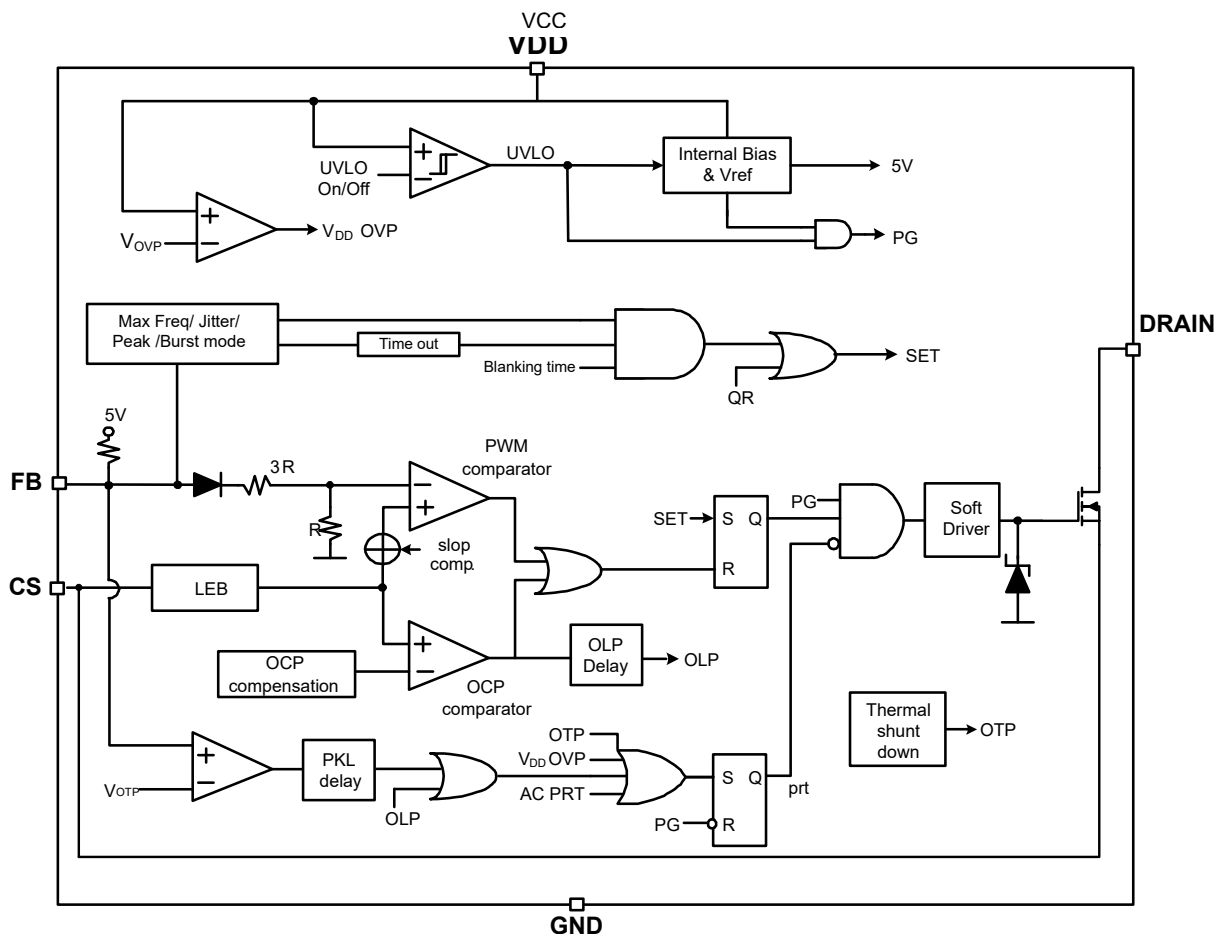
Parameter	Symbol	Min.	Typ.	Max.	Unit	Conditions
SDSP CS pin level	$V_{CS\_SDSP}$		0.85		V	
De-bounce Cycle	$T_{D\_SDSP} (*)$		2		Cycle	Guarantee by Design

### 650V MOSFET (Drain Pin) :

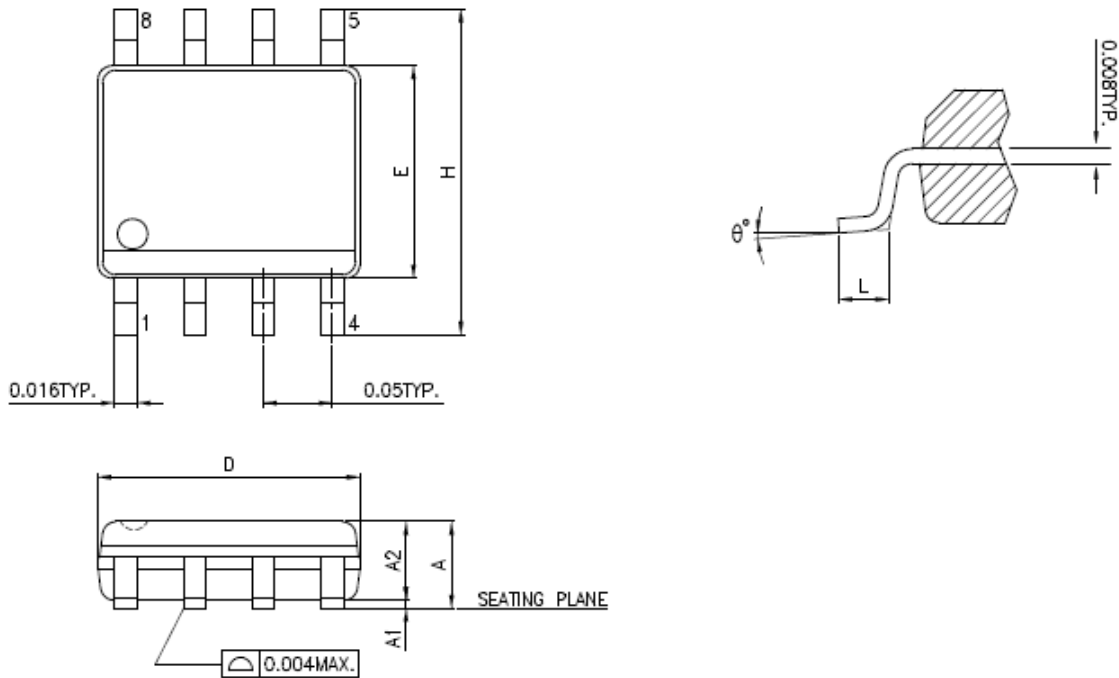
Parameter	Symbol	Test Conditions	Min.	Typ.	Max.	Unit	Remark	Package
MOSFET Drain-source Breakdown Voltage	$BV_{DSS}$	VGS=0V ID=250uA	650			V		
Static drain-source on-resistance	$R_{DS(on)}$	VGS=10V ID=0.4A		14	17	$\Omega$	EST.2809DS	SOP-8
		VGS=10V ID=0.5A		9	12	$\Omega$	EST.2811DS	SOP-8
		VGS=10V ID=1A		4.5	5	$\Omega$	EST.2813DS	SOP-8
		VGS=10V ID=1.5A		3.1	3.9	$\Omega$	EST.2817DS	SOP-8
		VGS=10V ID=2.0A		2.2	2.6	$\Omega$	EST.2819DS	SOP-8
		VGS=10V ID=2.0A		1.5	1.6	$\Omega$	EST.2825DS	SOP-8

### Block Diagram

#### EST28xxDS



**Package Information**  
**SOP-8 Package (mm)**



Symbols	Dimensions In Inches			Dimensions In millimeters		
	MIN.	NOR.	MAX.	MIN.	NOR.	MAX.
A	0.050	0.061	0.072	1.270	1.549	1.829
A1	0.000	-----	0.010	0.000	-----	0.254
A2	-----	-----	0.062	-----	-----	1.575
D	0.185	0.193	0.200	4.699	4.902	5.080
E	0.147	0.154	0.160	3.734	3.912	4.064
H	0.225	0.237	0.249	5.715	6.020	6.325
L	0.013	0.033	0.053	0.330	0.838	1.346
θ	0°	4°	8°	0°	4°	8°

**EST.28xxDS**  
Green-Mode PWM Controller (SSR)

---



© <http://www.esthome.com>

© 2020 EST Printed in Taiwan - All Rights Reserve