

Data Sheet

Type Description : Green-Mode PWM Controller (SSR)

Product Name : EST.282xD

Reversion : V1.0

Reversion Date : May, 2020

Page : 12 Pages

General Description

EST.282xD is a higher integrated PWM flyback controller. It provides several functions to enhance the efficiency to meets the criteria of global standards such as DoE Level VI and EU CoC V5 Tier-2. Meantime, it also provides excellent EMI-improved solution, and also built in complete protection.

EST.282xD is a green mode controller, which implements low start-up current, green-mode power-saving. It is also built-in the leading-edge blanking (LEB) of the current sensing and feedback loop to screen the spike noise from any input signal. The internal slope compensation can limit the constant output over universal AC input range. The sawtooth over frequency function for EMI improved solution.

Meanwhile, EST.282xD also provides various protection, such as, OLP (Over Load Protection) ,VDD OVP (Over Voltage Protection) , Output OLP and output OVP to prevent the circuit damage from the abnormal conditions.

EST.282xD is available in DIP-7.

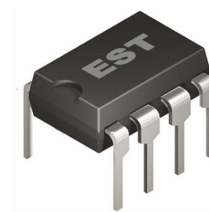
EST.282xD works with current sensing synchronous rectifier controllers, such as EST.6001C and EST.6xxAxx to achieve higher conversion efficiency and very compact power density..

Application

- Switching AC/DC adapter and battery charger
- ATX standby power
- Open frame switching power and CD(R)
- Set-top-boxes(STB) 384Xreplacement

Features

- Integrated high 700 voltage MOSFET
- 65KHz fix frequency mode at PWM Mode
- Very low startup current (<3 uA)
- 0.5mA ultra-low operating current at light load
- Current mode control with Cycle-by-Cycle current limit
- Built-in slope and load regulation compensation
- LEB (Leading-edge blanking) on CS Pin
- UVLO (Under voltage lockout)
- Fault Protections : VDD Over Voltage, CS OVP(Over Voltage), Output Short-Circuit, Over-Current, OLP (Over load protection) and Pin Fault
- Photo coupler short protection & Feedback open protection
- High voltage CMOS process with excellent ESD protection
- 250mA/500mA driving capability
- Hazardous Substance Free
- RoHs/REACH Compliant



DIP-7L

Function and Protection Options

Part No.	Package	Freq. KHZ	Protection						
			OLP	BNO	VDD. OVP	AUX. OVP	CS. OVP	CS. Open	SDSP
EST.282xD	DIP-7	65KHz	Hiccup / 100mS	Hiccup	Hiccup	Hiccup	Hiccup	Hiccup	Hiccup

Note: EST lead-free products contain molding compounds/die attach materials and 100% matte tin plate termination finish; which are fully compliant with RoHS. EST lead-free products meet or exceed the lead-free requirements of IPC/JEDEC J-STD-020C for MSL classification at lead-free peak reflow temperature. EST defines "Green" to mean lead-free (RoHS compliant) and halogen free (Br or Cl does not exceed 900ppm by weight in homogeneous material and total of Br and Cl does not exceed 1500ppm by weight)

Ordering Information

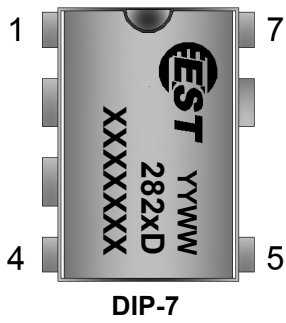
Part Number	Package	Packaging	Note
EST.282xD	DIP-7L	Tape	Green

EST.282xD

Green-Mode PWM Controller (SSR)



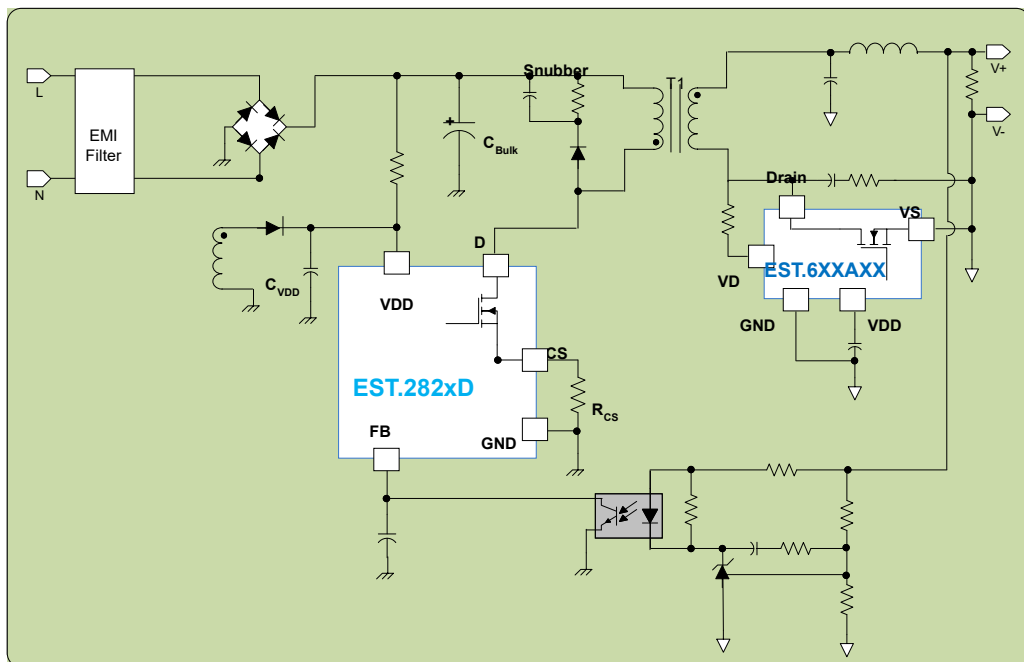
Pin Assignments and Package Type



EST: LOGO
 YYWW: Date code
 28xxD: xxD=MOS Type;
 XXXXXX: Production lot code

DIP-7	NAME Description	Description
1,2	CS	Current Sense pin, connect to sense the MOSFET current.
3	GND	Ground
4	VDD	Power supply pin
5	FB	Voltage input pin by connecting a photo-coupler
6,7	DRAIN	HV MOSFET Drain pin. The Drain pin is connected to the primary lead of the transformer.

Application Circuit



Absolute Maximum Ratings

Parameter Symbol	Symbol	Limit Values		Unit	Remark
		Min.	Max		
Supply Voltage VDD	V _{DD}	-0.3	32	V	
AC,FB,CS Voltage	V _{AC} , V _{FB} , V _{CS}	-0.3	7	V	
Drain Voltage	V _D	650		V	
Max Junction Temperature	T _{jm}	-40	150	°C	
Operation Junction Temperature	T _j	-40	125	°C	
Operation Ambient Temperature	T _A	-25	85	°C	
Storage Temperature	T _{stg}	-55	150	°C	
Absolute Max. IDD Current @ V _{DD} =25V	I _{DD_max}	-	22	mA	DIP-7
Power Dissipation	PD	-	1500	mW	
Junction-to-Ambient Thermal Resistance*	θ _{JA}	-	80	°C/W	
Junction-to-Case Thermal Resistance**	θ _{JC}	-	20	°C/W	
Lead temperature (Soldering, 10 sec)		-	260	°C	
ESD Voltage Protection	HBM	V _{ESD-HBM}	-	3.0	KV
	MM	V _{ESD-MM}	-	300	V

Stress beyond those listed under “Absolute Maximum Ratings” may cause permanent damage to the device. These are stress ratings only, and functional operation of the device at these or any other conditions beyond those indicated in the operational sections of the specifications is not implied. Exposure to absolute maximum rating conditions for extended periods may affect device reliability.

Recommended Operating Conditions

Parameter Symbol	Symbol	Limit Values		Unit	Remarks
		Min.	Max		
Operation Junction Temperature	T _{jo}	-40	125	°C	
Supply Voltage V _{DD}	V _{DD}	11	25	V	
Startup Resistor Value	R _{star}	1	14	MΩ	
Ambient temperature range	T _{opr}	-25	85	°C	
Capacitance of CS pin	C _{CS}	47	390	pF	
Capacitance of FB pin	C _{FB}		2.2	nF	

DC Electrical Characteristics (VCC =15V, Ta=25°C)

Supply Voltage (VDD Pin):

Parameter	Symbol	Min.	Typ.	Max.	Unit	Conditions
Startup Current	I _{CC-ST}	2	3.5	5.5	μA	UVLO ON - 0.1V
Operating Current (with 1nF load on DRV pin)	I _{CC-OP}	0.4	0.6	0.8	mA	V _{FB} =0V
	I _{CC-OP}	1.5	2	2.5	mA	V _{FB} =2.5V CL=1nF
	I _{CC-OLP}	0.2	0.35	0.5	mA	OLP
UVLO (off)	V _{UVLO-OFF}	7.5	8.0	8.5	V	
UVLO (on)	V _{UVLO-ON}	16		19	V	
V _{DD} OVP Level	V _{OVP}	26	27	28.5	V	
OVP Debounce Time	T _{OVP}		4		cycle	Guarantee by Design
V _{CC} Simulation mode(ON)	V _{CC-HD_ON}	9.7	10.2	10.7	V	
V _{CC} Simulation mode(Off)	V _{CC-HD_OFF}	10.2	10.7	11.2	V	
Latch off mode release Current	I _{DD_LHOFF}			25	uA	Guarantee by Design

Voltage Feedback(FB Pin):

Parameter	Symbol	Min.	Typ.	Max.	Unit	Conditions
Short Circuit Current	I _{Zero}	0.1	0.14	0.18	mA	V _{FB} =0V
Open Loop Voltage	V _{FB-OP}	4.8	5	5.2	V	FB pin open
Over Load Protection	V _{OLP}	3.5	4	4.5	V	
Debounce Time of OLP	T _{OLP}	90	100	110	ms	
Burst mode start voltage(on)	V _{BUR_ON}	0.35	0.45	0.55	V	
Burst Mode Hysteresis	V _{BUR_HY}	0.05	0.1	0.15	V	
Green Mode Threshold	F _{th_GR}	35	45	55	KHz	V _{FB} =1.3V

Current Sensing (CS Pin):

Parameter	Symbol	Min.	Typ.	Max.	Unit	Conditions
Leading Edge Blanking Time & Propagation Delay to Output	T _{LEB +TPD}	400	500	600	ns	
Maximum CS Off Voltage	V _{CSTH}	0.65	0.7	0.75	V	
OCP source current	I _{OCP}	240	250	260	uA	Min. Duty
CS Over Voltage Protection	V _{CS_OVP}	0.45	0.5	0.55	V	T = T _{off}
OVP Leading Blanking time	T _{OVP_LEB}		2		us	Guarantee by Design
Internal Slope Compensation	V _{SLP_LP_LEB}		160		mV	
Short Circuit Protection Voltage	V _{SCP}		0.85		V	
Debounce Time of V _{SCP}	T _{SCP}		2		cycle	
Short Circuit Detection Time	T _{SCP}		100		us	

Timer Section:

Parameter	Symbol	Min.	Typ.	Max.	Unit	Conditions
Burst Mode Frequency	F _{Burst}	22		28	KHz	
PWM Mode Frequency	F _{PWM}	61	65	69	KHz	
Voltage stability of Frequency	F _{PSRR}	-1		+1	%	V _{DD} = 11V~25V
Frequency Shuffling Range	F _{jitter}	+/-4	+/-6	+/-8	%	
Maximum duty cycle	D _{MAX}	75	80	85	%	
Internal Soft Startup Time	T _{SS}	10.3	13.2	16	mS	

On chip Thermal shut down:

Parameter	Symbol	Min.	Typ.	Max.	Unit	Conditions
IOTP Level	V _{IOTP}		150		°C	Guarantee by Design
Output High Level	V _{OOTP}		120		°C	

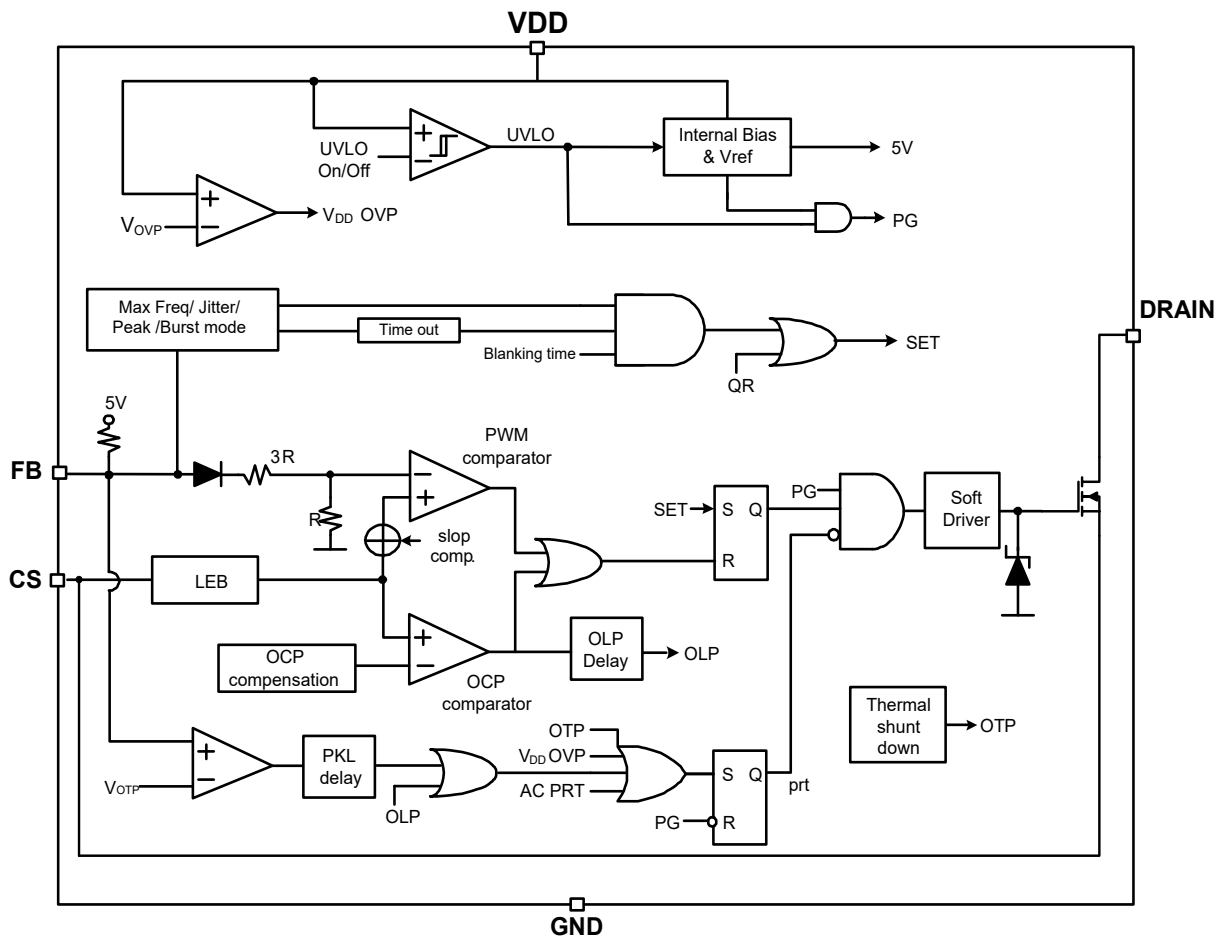
SDSP (Secondary diodes short protection):

Parameter	Symbol	Min.	Typ.	Max.	Unit	Conditions
SDSP CS pin level	V _{CS_SDSP}		0.85		V	
De-bounce Cycle	T _{D_SDSP} (*)		2		Cycle	Guarantee by Design

700V MOSFET (Drain Pin) :

Parameter	Symbol	Test Conditions	Min.	Typ.	Max.	Unit	Remark	Package
MOSFET Drain-source Breakdown Voltage	BV_{DSS}	$V_{GS}=0V$ $I_D=250\mu A$	700			V		
Static drain-source on-resistance	$R_{DS(on)}$	$V_{GS}=10V$ $I_D=0.45A$		13.0	14.5	Ω	EST.2820D	DIP-7
		$V_{GS}=10V$ $I_D=1.0A$		5.5	7.0	Ω	EST.2822D	DIP-7
		$V_{GS}=10V$ $I_D=1.25A$		4.0	5.0	Ω	EST.2826D	DIP-7
		$V_{GS}=10V$ $I_D=1.5A$		3.5	4.5	Ω	EST.2828D	DIP-7
		$V_{GS}=10V$ $I_D=2.0A$		2.5	3.5	Ω	EST.2829D	DIP-7

Block Diagram
EST282xD



Application Note

Operation Overview

The EST.28xxD meets the green power requirement and very is suitable for the application for those networking adaptors and various consumer power, which can provide more power efficiency and keep lower power loss. It also supports various kind of protection for every abnormal environments.

VDD Start-up and Control

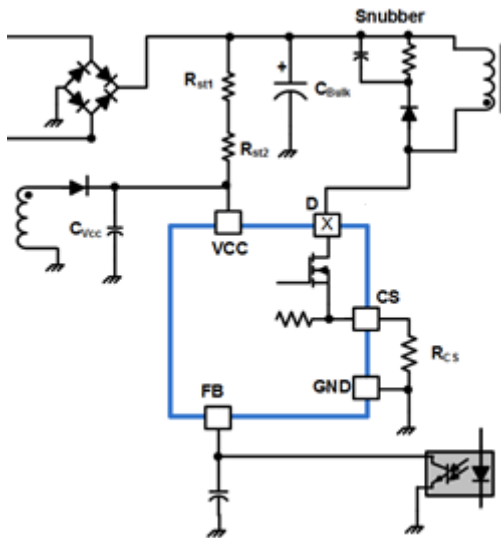


Fig.1

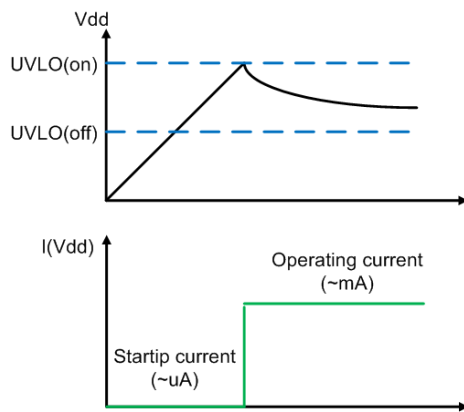


Fig.2

The start-up circuit of EST.28xxD is shown in Fig.1 . The internal comparator of EST.28xxD will detect the voltage on the VDD pin, and assures the supply voltage enough to turn it on. At beginning, the startup current

till VDD gets enough voltage (UVLO_ON) to turn on itself, please refers to Fig.2. Meantime, it goes a step further to deliver the gate drive signal to enable the Aux. winding of transformer , and then provides supply current. The startup current of EST.28xxD is designed to be very low so that C_{VDD} could be charged up above the threshold of UVLO_on and it starts up quickly.

EST.28xxD series are process with low power mix-mode process (5V and 32V), which max start-up current is below 3uA. R-start calculate as below :

$$\frac{V_{bulk} - V_{UVLO_ON}}{R_{start}} > I_{cc - ST}$$

It is trade-off between startup time and low start-up consumption with a higher startup resistance. Therefore, carefully selects the value of R_{start} and C_{VDD} to optimize the power consumption and startup time.

SS , Soft-start Sequence

EST.28xxD also builds up 13.2/8.6 ms (typical) soft-start to soften the electrical stress occurring in the power supply during startup, refer to Fig.3. As soon as VDD reaches UVLO_on, the Cs peak voltage is gradually increased from 0.2V to the maximum level, see Fig.3.

provides by (R_{st1}/R_{st2}) to charge the capacitor C_{VDD}

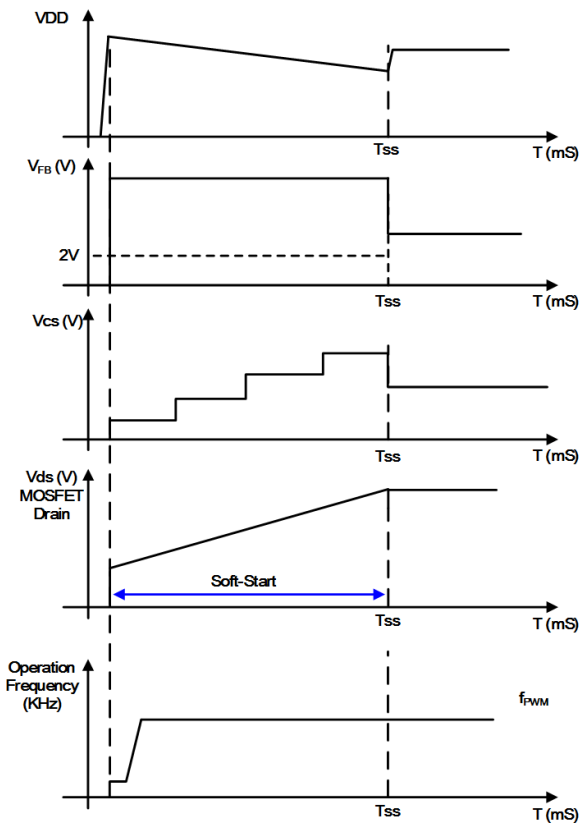


Fig.3

VDD Stimulation Mode

EST.28xxD provides stimulation mode to avoid abnormal re-start-up under the situation of heavy loading to no-load, caused by non-balance of discharge of VDD cap and output cap, which is different with burst mode. The waveform is shown in Fig.4

Condition : $V_{FB} < V_{BUR_ON}$ & $V_{DD} < 9.5V$ trigger, Hysteresis Voltage 1V

Action : IC fix output F_{Burst} , and V_{CS} keeps as 0.15V

Notice : Design V_{AUX} higher than 11V

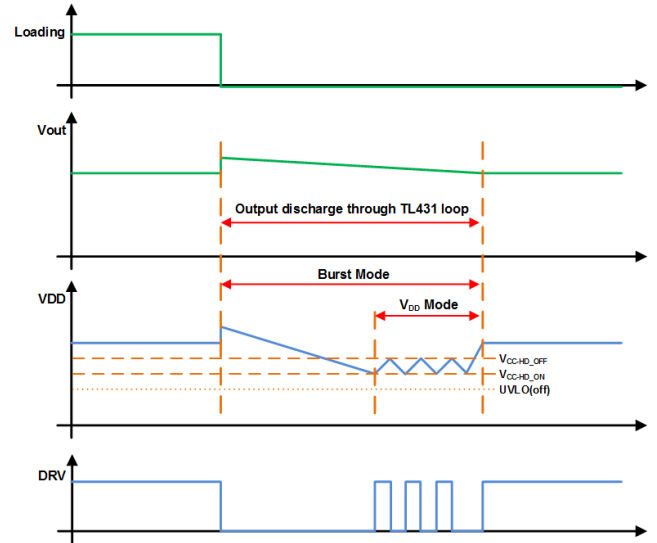


Fig.4

FB , Voltage Feedback Loop

EST.28xxD uses current mode control, that is say, the voltage feedback signal is provided from EST.431 at secondary side through the photo-coupler to FB pin and compare to the current signal sensing from Cs pin at primary side of MOS current to control the on/off of MOSFET.

In order to enhance light load efficiency, the loss of the feedback resistor in parallel with photo-coupler is reduced. Due to small feedback resistor current, shunt regulator selection and minimum regulation current design have to considered more carefully to make sure it's able to regulate under low cathode current.

To make sure the stability of feedback is very important. Unstable feedback signal will introduce output oscillate or audio noise. You can monitor the ripple & Noise of output to adjust the phase and gain margin of close loop.

- (1). R_{bias1} and R_{bias2} to prevent the abnormal output voltage at heavy loading. Generally, we suggest R_{bias1} 100~1K Ω , R_{bias2} 1.5~2.5K Ω
- (2). R_{phase}/C_{phase} is for RC phase compensation and prevent oscillate to adjust the value of C_{FB}
- (3). Generally, we suggest R_{phase} 1~10K Ω , C_{phase} 0.1uF, C_{FB} 1~2.2nF
- (3). The ratio of R_3 and R_{3A} is depend on the output voltage spec (EST.431, V= 2.5V)

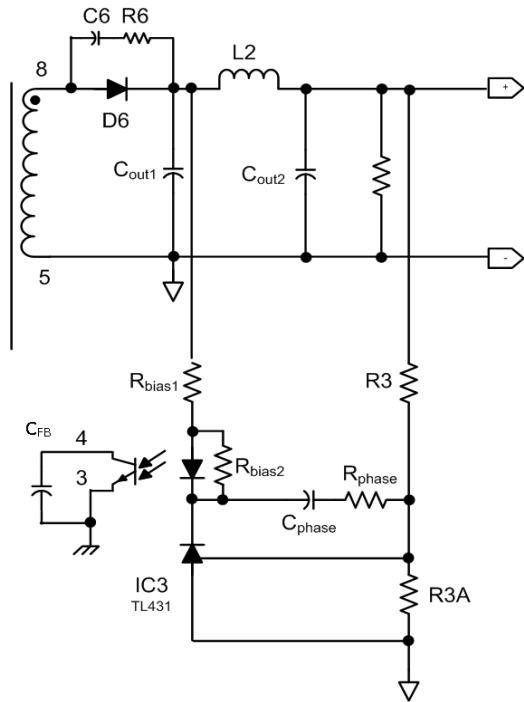


Fig.5

In addition, V_{FB} is also used to determine the green mode level. When V_{FB} is under V_{BUR_ON} , it is under no load or light load condition; at light loading, burst mode can effectively reduce the switching loss. When V_{FB} is larger than V_{BUR_ON} , it will leave away the standby mode. The normal operation of V_{FB} is from V_{BUR_ON} to 2.4V meanwhile, short-circuit current is around I_{Zero} .

CS, Current sense Loop

Current mode PWM control mode detects the current command (CS) from the R_{sense} (the primary MOSFET current sense resistor) and voltage command from photocoupler (FB) to determine whether the system reaches a stable or not. There is a potential risk of sub-harmonic when the duty of flyback methodology is larger than 50% and the operation under continues conduction mode (CCM), therefore, EST.28xxD also builds in the slope compensation between high and low AC line to avoid the sub-harmonic risk.

A leading-edge blanking (LEB) time is included in the input of CS pin to prevent the false-trigger from the current spike. Meanwhile, it is strongly recommended to put a suitable R-C filter for higher power application to prevent the CS pin being damaged by the unknown negative spike.

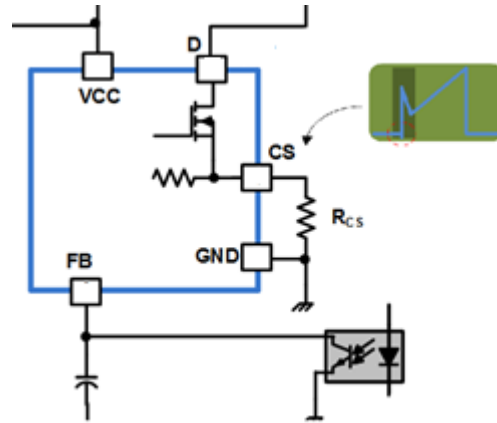


Fig.6

Complete Protection

EST.28xxD integrates various kind of protection to make sure operation safety.

VDD OVP (Over Voltage Protection)

The maximum ratings of the EST.28xxD are around 30V. To prevent the VDD enter breakdown condition, EST.28xxD series are integrated with OVP function on VDD pin. Whenever the VDD voltage is higher than the V_{OVP} threshold, the output gate drive circuit will be turn-off simultaneously and the power MOSFET is turn-off until the next UVLO(on) cycle.

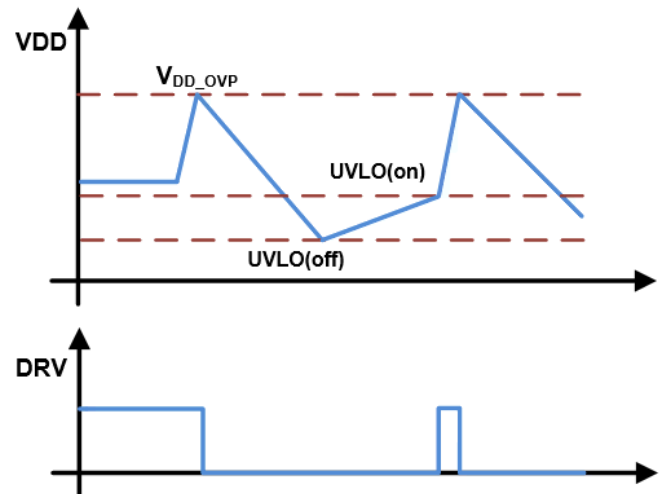


Fig.7

SDSP, Secondary Diode Short Protection

After short circuit of 2nd side schottky, the inductance current is too low to discharge completely caused by

lower output voltage, and then it will continues to increasing to induce abnormal saturation of transformer during LEB timing, therefore, higher peak current induce serious high Vds to damage MOSFET.

EST.28xxD detects the inductance current through the resistance, Rcs, of CS pin, and will trigger protection (latch or hiccup) when Vcs higher than 0.85V and sustains 2cycle timing.

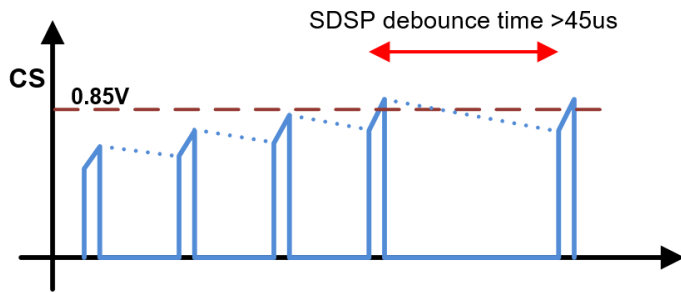


Fig.8

Layout Guide line

Better layout plan can reduce unknow noise no matter signal or EMI, please refer to the list below :

- ◆ **Big current path** : A&B (Area 1) area are high frequency current loop, line to line is as close as possible, and avoid near low voltage control area

- ◆ **Low voltage area** : R divider need to be as near FB_Pin as possible.
- ◆ **Secondary Side Schottky** : routing as close as possible
- ◆ **Grounding** : (2) and (3) grounding separated with each other, and end connects to (1) ground.

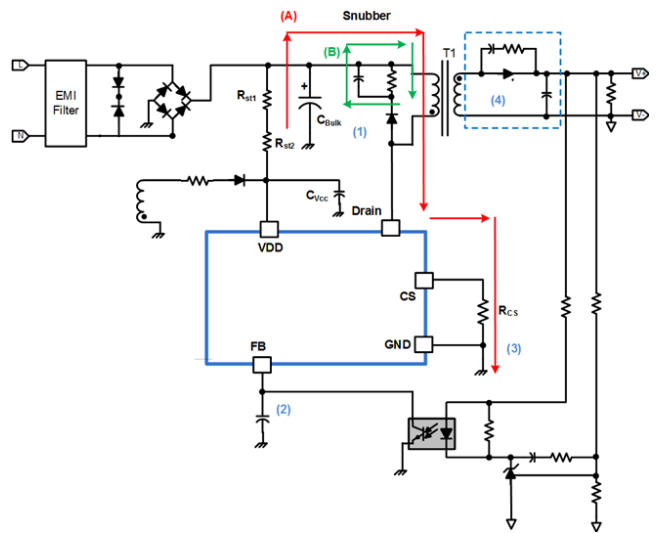
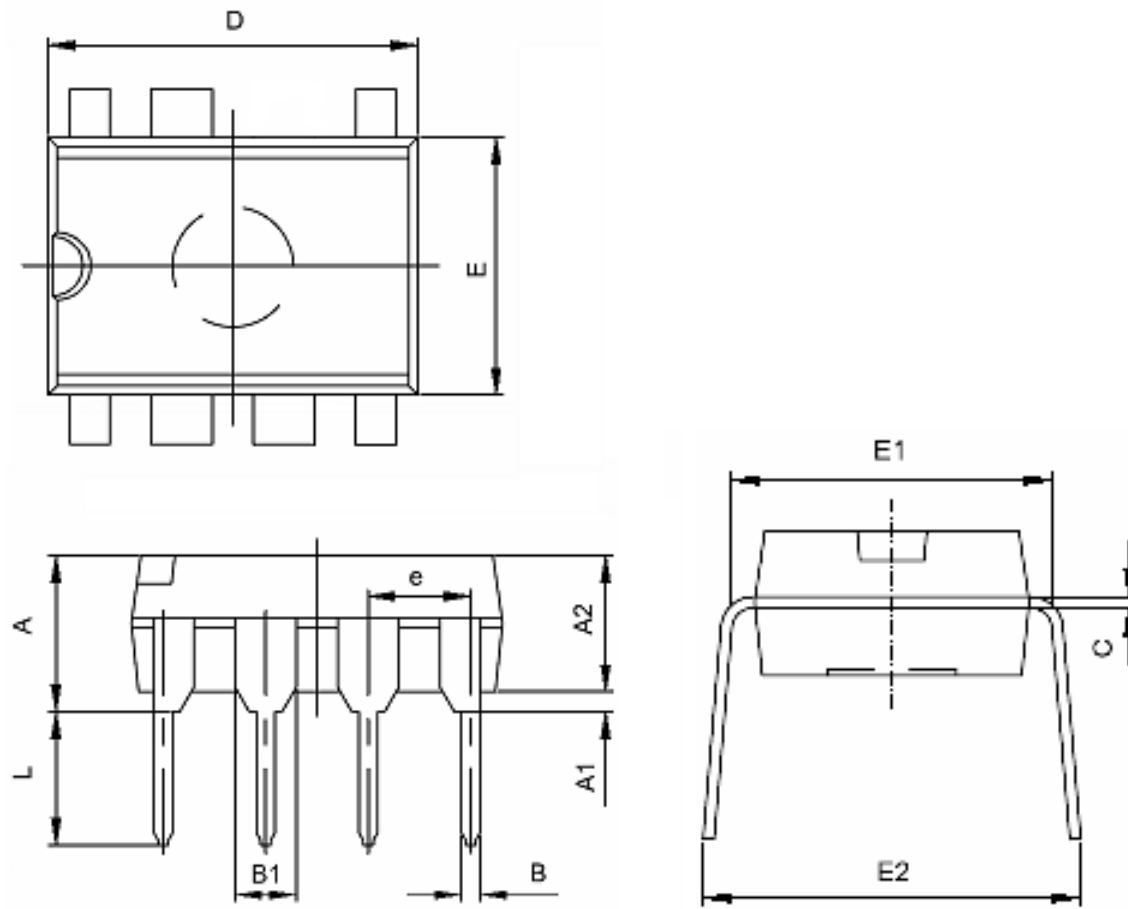


Table 1: Complete Protection

Issue	Protection	Pin	Protection Conditions
1st	V-Sense VDD OVP	VDD	VDD > 26V
1st	V-Sense VDD UVLO Off	VDD	VDD < 7.5V
1st	V-Sense CS pin open	CS	V _{CS} > 0.7V after 4 cycles
2nd	SDSP 2nd side Schottky short	CS	V _{CS} > 0.85V after 2 cycles
2nd	SCP Output short	CS	1. 12ms blank time during start-up 2. after 4 cycles 3. Duty < 10%
2nd	OVP Output OVP	CS	Vcs compares to 0.5V through the resistance divider
1nd	OCP OCP	CS	Hi/Low line OCP external adjust , Max current limit CS=0.7V
2nd	OLP OLP	FB	CS > 4V
IC	Chip OTP		chip OTP at 150 °C

Package Information

DIP-7 Package



Symbol	Dimensions In Millimeters		Dimensions In Inches	
	Min	Max	Min	Max
A	3.710	4.310	0.146	0.170
A1	0.510		0.020	
A2	3.200	3.600	0.126	0.142
B	0.360	0.560	0.014	0.022
B1	1.524(TYP)		0.060(TYP)	
C	0.204	0.360	0.008	0.014
D	9.000	9.400	0.354	0.370
E	6.200	6.600	0.244	0.260
E1	7.620(TYP)		0.300(TYP)	
e	2.540(TYP)		0.100(TYP)	
L	3.000	3.600	0.118	0.142
E2	8.200	9.400	0.323	0.370

EST.282xD
Green-Mode PWM Controller (SSR)



© <http://www.esthome.com>

© 2020 EST Printed in Taiwan - All Rights Reserve